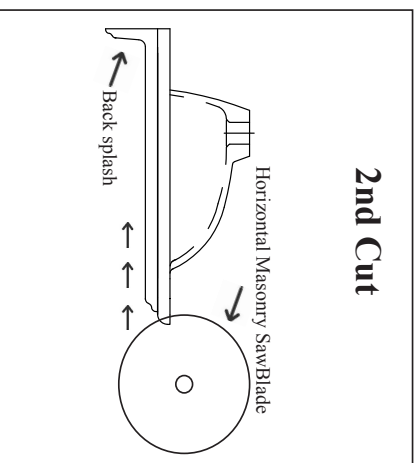
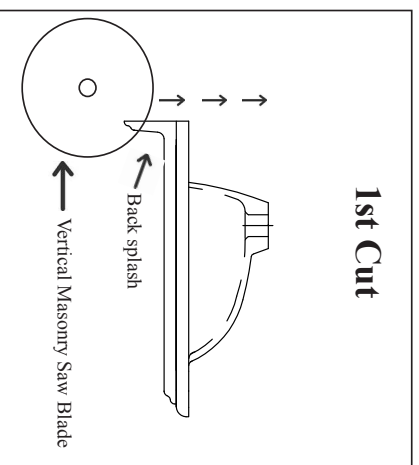


AQUA CASCATTA VANITY TOP CUTTING INSTRUCTIONS

(for vanities next to a wall or between 2 walls)

It is very easy to cut this vanity top. Minimal tools are required.
Estimated time for completion: 15 minutes

1. For safety precaution we recommend wearing safety glasses and a dust mask.
2. We recommend cutting outdoors due to dust.
3. Turn top over and support on a non-scratch surface.
4. The Aqua Cascatta top extends 1 1/2" past the edge of the cabinet. For placement of the Aqua Cascatta top against a wall on only one side, it is necessary to cut off the 1 1/2" overhang on the wall side. For placement of the Aqua Cascatta top between 2 walls, measure between the walls and subtract it from the overall length of the vanity top. Divide the difference by 2 and cut that amount from each end of the vanity top.
5. Mark a cutline on the back side of the vanity top and back side of the backsplash with a straight edge.
6. Use a 7 1/4" masonry blade in a circular saw.
7. Though not necessary, use of a saw guide with clamps is helpful in making a straight cut.
8. Cut the backsplash first by holding the saw in a vertical position and start the cut at the top of the backsplash cutting up all the way through the bottom of the vanity top.
9. Make the second and final cut starting at the front edge of the deck and cut toward the backsplash.
10. Cut slowly, don't over force the blade during the cut.



AQUA CASCATTA VANITY TOP CUTTING INSTRUCTIONS

(for vanities next to a wall or between 2 walls)

It is very easy to cut this vanity top. Minimal tools are required.
Estimated time for completion: 15 minutes

1. For safety precaution we recommend wearing safety glasses and a dust mask.
2. We recommend cutting outdoors due to dust.
3. Turn top over and support on a non-scratch surface.
4. The Aqua Cascatta top extends 1 1/2" past the edge of the cabinet. For placement of the Aqua Cascatta top against a wall on only one side, it is necessary to cut off the 1 1/2" overhang on the wall side. For placement of the Aqua Cascatta top between 2 walls, measure between the walls and subtract it from the overall length of the vanity top. Divide the difference by 2 and cut that amount from each end of the vanity top.
5. Mark a cutline on the back side of the vanity top and back side of the backsplash with a straight edge.
6. Use a 7 1/4" masonry blade in a circular saw.
7. Though not necessary, use of a saw guide with clamps is helpful in making a straight cut.
8. Cut the backsplash first by holding the saw in a vertical position and start the cut at the top of the backsplash cutting up all the way through the bottom of the vanity top.
9. Make the second and final cut starting at the front edge of the deck and cut toward the backsplash.
10. Cut slowly, don't over force the blade during the cut.

